

Industrial Specification Grade Hart-Lock® Locking Devices

4 Pole, 5 Wire Grounding
 Non-NEMA, 20A 120/208V 3ØY 400HZ
 NEMA L21-20, 20A 120/208V 3ØY
 NEMA L22-20, 20A 277/480V 3ØY
 NEMA L23-20, 20A 347/600V 3ØY



INDUSTRIAL COMMERCIAL

E-28 LOCKING DEVICES

20A 4 Pole, 5 Wire Grounding Industrial Specification Grade Locking Receptacles

FEATURES

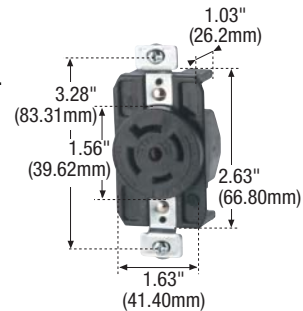
- Rugged fiberglass reinforced nylon body.
- Clearly marked rating, NEMA configuration and approval listings on receptacle face.
- One piece brass contacts offer superior performance and minimum heat rise.
- Back wire terminal clamps secure wiring.
- Combination head screws standard - slot/Phillips in the U.S.
- Add -C to catalog number for Canadian screws - slot/Robertson head combination.
- Safety ground clip provided for fast installation.

Industrial Specification Grade Single Receptacles - Back and Side Wire

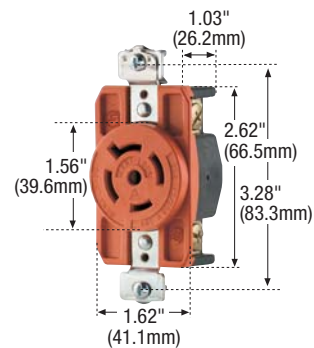
Rating		NEMA	Description	Color	Catalog No.
A	V/AC				
20	120/208V 3ØY	L21-20	Standard	Black	CWL2120R
			Isolated Ground	Orange	IGL2120R
20	120/208V 3ØY 400Hz	Non-NEMA	Standard	Black	6110*
20	277/480V 3ØY	L22-20	Standard	Black	CWL2220R
			Isolated Ground	Orange	IGL2220R
20	347/600V 3ØY	L23-20	Standard	Black	CWL2320R
			Isolated Ground	Orange	IGL2320R

*UL (file no. E2258), CSA (file no. LR16215)

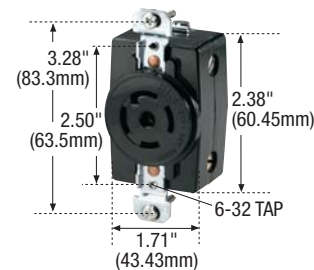
NOTE: Weather Protective Covers from Cooper Wiring Devices that may be used with these products are described on pages E-71 in this section.



CWL2120R



IGL2120R



6110

TESTING & CODE COMPLIANCE

- Listed to UL 498, (file no. E2369).
- CWL2120R:
 UL Listed to Federal Spec. WC-596.
- CSA Certified to C22.2 no. 42 (file no. LR7087) except as noted.

MATERIAL CHARACTERISTICS

Receptacles:
 Glass filled Nylon except 6110: Urea.
 Environmental:
 Flammability per UL 94 requirements,
 Receptacles V0 rated except 6110.
 Temperature Rating:
 Receptacles:
 -40°C to 105°C except 6110:
 -40°C to 60°C.



RECEPTACLE NON-NEMA 20A 120/208V 3ØY 400 Hz
 L21-20R L22-20R L23-20R



Industrial Specification Grade Hart-Lock® Locking Devices

4 Pole, 5 Wire Grounding
 Non-NEMA, 20A 120/208V 3ØY 400Hz
 Non-NEMA 20/10A 250/600V
 NEMA L21-20, 20A 120/208V 3ØY
 NEMA L22-20, 20A 277/480V 3ØY
 NEMA L23-20, 20A 347/600V 3ØY



CWL2120C

20A 4 Pole, Wire Grounding Industrial Specification Grade Plugs and Connectors

FEATURES

- Nylon construction.
- Back wire Dead-Front design.
- Neoprene gasket seals cord hole from dust and debris.
- Inserts included for three separate cord grip ranges.
- Back wire terminal clamps for easy secure wiring.
- Individual wiring compartments with tapered channel for easy insertion of wires.
- Clear cover allows easy inspection of wiring terminations.
- Combination head screws standard - slot/Phillips in the U.S.
- Add -C to catalog number for Canadian screws - slot/Robertson head combination.

Industrial Specification Grade Locking Plugs and Connectors

Rating A	V/AC	NEMA	Cord Diameter	Color	Catalog No.	
					Plug	Connector
20	120/208V 3ØY	L21-20	0.63-1.16" (15.9-29.4mm)	Black & White	CWL2120P	CWL2120C
				Black	CWL2120PBK	CWL2120CBK
20	120/208V 3ØY 400Hz	Non-NEMA	0.47-1.15" (11.9-29.2mm)	Black & White	6112*	6114*
20/10	250/600	Non-NEMA	0.63-1.16" (15.9-29.4mm)	Gray	3521	3523
				Black	3521BK	3523BK
20	277/480V 3ØY	L22-20	0.63-1.16" (15.9-29.4mm)	Black & White	CWL2220P	CWL2220C
20	347/600V 3ØY	L23-20	0.63-1.16" (15.9-29.4mm)	Black & White	CWL2320P	CWL2320C

*UL (file no. E1381), CSA (file no. LR16215)

NOTE: Weather Protective Boots from Cooper Wiring Devices that may be used with these products are described on page E-72 in this section.



CWL2120P

INDUSTRIAL COMMERCIAL

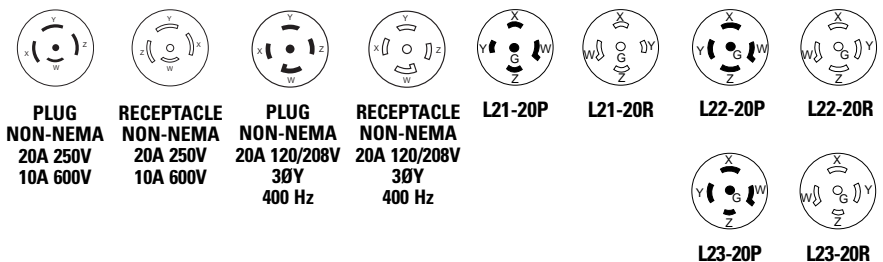
E-29 LOCKING DEVICES

TESTING & CODE COMPLIANCE

- Listed to UL 498, (file no. E3663);
- UL Listed to Federal Spec. WC-596.
- cUL Certified to CSA C22.2 no. 42 (file no. E3663) except as noted.

MATERIAL CHARACTERISTICS

Nylon.
 Temperature Rating:
 -40°C to 75°C
 except 6112, 6114:
 -40°C to 60°C.



Industrial Specification Grade Hart-Lock® Locking Devices

4 Pole, 5 Wire Grounding
 Non-NEMA, 20A 120/208V 3ØY 400Hz
 Non-NEMA 20/10A 250/600V
 NEMA L21-20, 20A 120/208V 3ØY
 NEMA L22-20, 20A 277/480V 3ØY
 NEMA L23-20, 20A 347/600V 3ØY



INDUSTRIAL COMMERCIAL

E-30 LOCKING DEVICES

TESTING & CODE COMPLIANCE

- Listed to UL 498 Flanged Inlets: (file no. E3663);
- Flanged Outlets: Listed to UL 498, (file no. E2369).
- cUL Certified to CSA C22.2 no. 42 (file no. E3663 and E2369) except as noted.

MATERIAL CHARACTERISTICS

Nylon.
 Environmental:
 Flammability per UL 94 requirements.
 V2 rated except 6116, 6118.
 Temperature Rating:
 -40°C to 80°C except 6116, 6118:
 -40°C to 60°C.

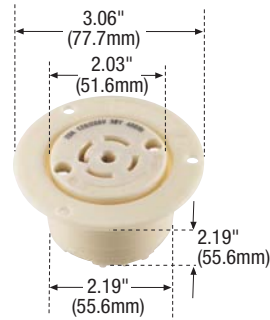
20A 4 Pole, 5 Wire Industrial Specification Grade Flanged Inlet and Outlet

FEATURES

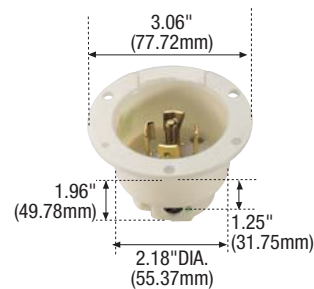
- All nylon construction.
- Mounting holes interchangeable with competitive units.
- Back wire terminal clamps for easy secure wiring.
- Individual wiring compartments with tapered channel for easy insertion of wires.
- Combination head screws standard - slot/Phillips in the U.S.
- Add -C to catalog number for Canadian screws - slot/Robertson head combination.



CWL2120FI



6118



6116

Industrial Specification Grade Flanged Inlets and Outlets

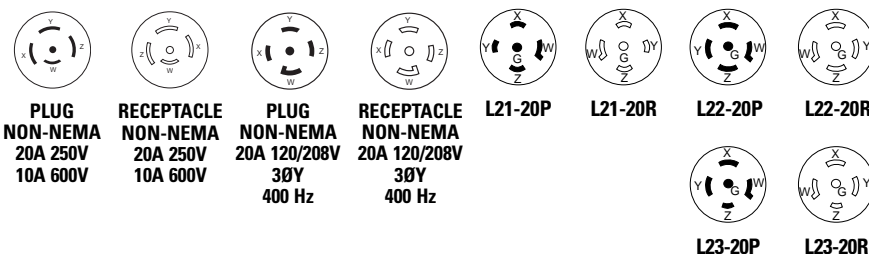
Rating A	V/AC	NEMA	Color	Catalog No.	
				Inlet	Outlet
20	120/208V 3ØY	L21-20	Black & White	CWL2120FI	CWL2120FO
20	120/208V 3ØY 400 HZ	Non-NEMA	White	6116*†	6118*#
20/10	250/600V	Non-NEMA	Gray	3524	3525
			Black	3524BK	3525BK
20	277/480V 3ØY	L22-20	Black & White	CWL2220FI	CWL2220FO
20	347/600V 3ØY	L23-20	Black & White	CWL2320FI	CWL2320FO

†UL (file no. E1381)

#UL (file no. E2258)

*CSA (file no. LR16215)

NOTE: Weather Protective Covers and Enclosures from Cooper Wiring Devices that may be used with these products are described on pages E-71, E-73 and E-74 in this section.





Industrial Specification Grade Hart-Lock® Locking Devices

4 Pole, 5 Wire Grounding
 NEMA L21-30, 30A 120/208V 3ØY
 NEMA FSL4-30, 30A 120/208V 3ØY 400Hz
 NEMA L22-30, 30A 277/480V 3ØY
 NEMA L23-30, 30A 347/600V 3ØY

INDUSTRIAL
COMMERCIAL

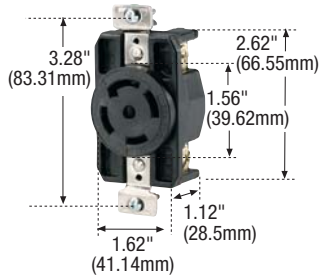
E-31 LOCKING DEVICES

TESTING & CODE COMPLIANCE

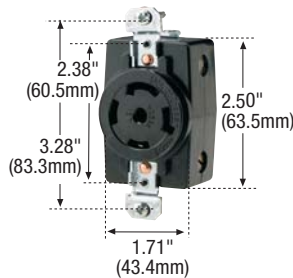
· Listed to UL 498 (file no. E2369) except Flanged Inlets: (file no. E3663).
 CWL2130R
 UL Listed to Federal Spec. WC-596.
 Receptacles:
 · CSA Certified to C22.2 no. 42 (file no. LR7087)
 Inlets and Outlets:
 cUL Certified to CSA C22.2 no. 42, Inlets (file no. E3663), Outlets (file no. E2369).

MATERIAL CHARACTERISTICS

Glass filled Nylon
 Environmental:
 Flammability per UL 94 requirements.
 VO rated except FSL430R,
 Inlets/Outlets:
 V2 rated.
 Temperature Rating:
 -40°C to 105°C except FSL430R:
 -40°C to 60°C.
 Inlets/Outlets:
 -40°C to 80°C.



CWL2130R



FSL430R



CWL2130FI



CWL2330FO

30A 4 Pole, 5 Wire Non-Grounding Industrial Specification Grade Locking Receptacles

FEATURES

- Rugged fiberglass reinforced nylon body.
- Clearly marked rating, NEMA configuration and approval listings on receptacle face.
- One piece brass contacts offer superior performance and minimum heat rise.
- Back wire terminal clamps for secure wiring.
- Combination head screws standard - slot/Phillips in the U.S.
- Add -C to catalog number for Canadian screws - slot/Robertson head combination.
- Safety ground clip provided for fast installation.

Industrial Specification Grade Single Receptacles - Back and Side Wire

Rating	A	V/AC	NEMA	Description	Color	Catalog No.
30	120/208V	3ØY	L21-30	Standard	Black	CWL2130R
				Isolated Ground	Orange	IGL2130R
30	120/208V	3ØY 400HZ	FSL4-30	Standard	Black	FSL430R*
				Isolated Ground	Orange	IGL2230R
30	277/480V	3ØY	L22-30	Standard	Black	CWL2230R
				Isolated Ground	Orange	IGL2230R
30	347/600V	3ØY	L23-30	Standard	Black	CWL2330R
				Isolated Ground	Orange	IGL2330R

*UL (file no. 2558), CSA (file no. LR16215), Urea.

30A 4 Pole, 5 Wire Industrial Specification Grade Flanged Inlet and Outlet

FEATURES

- All nylon construction.
- Mounting holes interchangeable with competitive units.
- Back wire terminal clamps for easy secure wiring.
- Individual wiring compartments with tapered channel for easy insertion of wires.
- Combination head screws standard - slot/Phillips in the U.S.
- Add -C to catalog number for Canadian screws - slot/Robertson head combination.

Industrial Specification Grade Flanged Inlets and Outlets

Rating	A	V/AC	NEMA	Color	Catalog No.	
					Inlet	Outlet
30	120/208V	3ØY	L21-30	Black & White	CWL2130FI	CWL2130FO
30	277/480V	3ØY	L22-30	Black & White	CWL2230FI	CWL2230FO
30	347/600V	3ØY	L23-30	Black & White	CWL2330FI	CWL2330FO

NOTE: Weather Protective Covers and Enclosures from Cooper Wiring Devices that may be used with these products are described on pages E-71, E-73 and E-74 in this section.



Industrial Specification Grade Hart-Lock® Locking Devices

4 Pole, 5 Wire Grounding
 NEMA L21-30, 30A 120/208V 3ØY
 NEMA FSL4-30, 30A 120/208V 3ØY 400Hz
 NEMA L22-30, 30A 277/480V 3ØY
 NEMA L23-30, 30A 347/600V 3ØY



INDUSTRIAL COMMERCIAL

E-32 LOCKING DEVICES

TESTING & CODE COMPLIANCE

· Listed to UL 498 (file no. E3663) except FSL430P, FSL430C (file no. E1381).
 cUL Certified to CSA C22.2 no. 42 (file no. E3663) except FSL430P and FSL430C:
 CSA Certified to C22.2 no. 42 (file no. LR16215).

MATERIAL CHARACTERISTICS

Nylon.
 Temperature Rating:
 -40°C to 75°C
 except FSL430P, FSL430C:
 -40°C to 60°C.

30A 4 Pole, 5 Wire Grounding Industrial Specification Grade Plugs and Connectors

FEATURES

- Nylon construction.
- Back wire Dead-Front design.
- Neoprene gasket seals cord hole from dust and debris.
- Inserts included for three separate cord grip ranges.
- Back wire terminal clamps for secure wiring.
- Individual wiring compartments with tapered channel for easy insertion of wires.
- Clear cover allows easy inspection of wiring terminations.
- Combination head screws standard - slot/Phillips in the U.S.
- Add -C to catalog number for Canadian screws - slot/Robertson head combination.

Industrial Specification Grade Locking Plugs and Connectors

Rating A	V/AC	NEMA	Cord Diameter	Color	Catalog No.	
					Plug	Connector
30	120/208V 3ØY	L21-30	0.63"-1.16" (15.9mm-29.4mm)	Black & White	CWL2130P	CWL2130C
			0.63"-1.16" (15.9mm-29.4mm)	Black	6612BK	6614BK
30	120/208V 3ØY 400Hz	FSL4-30	0.47"-1.15" (11.9mm-29.2mm)	Black & White	FSL430P	FSL430C
30	277/480V 3ØY	L22-30	0.63"-1.16" (15.9mm-29.4mm)	Black & White	CWL2230P	CWL2230C
30	347/600V 3ØY	L23-30	0.63"-1.16" (15.9mm-29.4mm)	Black & White	CWL2330P	CWL2330C

NOTE: Weather Protective Boots from Cooper Wiring Devices that may be used with these products are described on page E-72 in this section.

